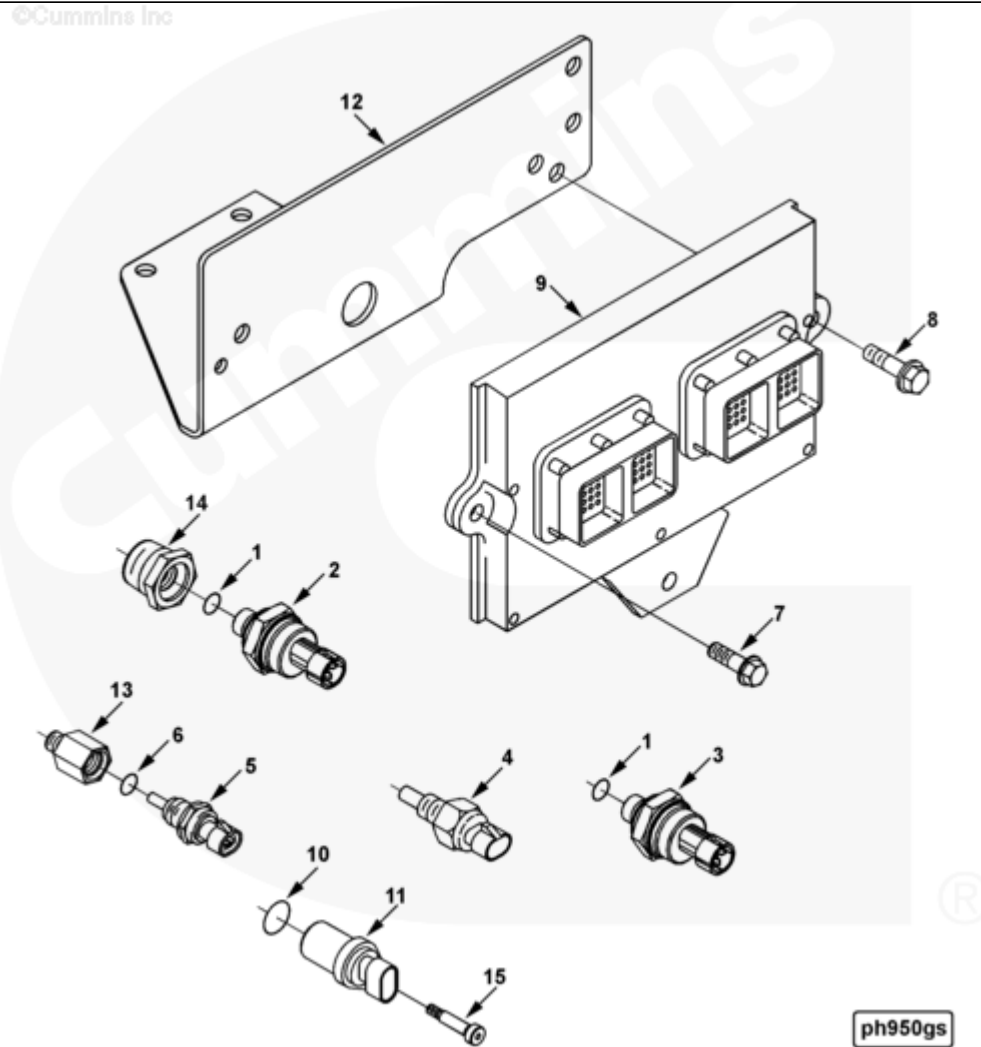




Parts Catalog - Option Detail

Electronic Parts Catalog - Option Detail				
Option	Group	Graphic	Film Card	Date
PH9801-09	05.06.1	ph950gs	Z	30-APR-04
Engines	6C8.3, C GAS PLUS CM556, G8.3, G8.3 CM558, GTA8.3 CM558, ISC CM2150, ISC CM554, ISC CM850, ISC8.3 CM2250, ISC8.3 G CM2180 C101, ISL CM2150, ISL CM554, ISL CM850, ISL G CM2180, ISL8.9 CM2150 L110, ISL8.9 CM2880 L112, ISL9 CM2150 SN, ISL9 CM2250, ISL9 CM2350 L101, ISL9 CM2350 L111, ISLE4 CM850, L GAS PLUS CM556, L8.9, L8.9 L121, L8.9G CMOH2.0 L125B, L9 CM2350 L116B, L9 CM2350 L119B, L9 CM2350 L120C, L9 CM2350 L123B, L9.3 L105, L9.5 L117, L9N CM2380 L124B, QSC8.3 CM2250, QSC8.3 CM2880 C102, QSC8.3 CM554, QSC8.3 CM850(CM2850), QSL9 CM2250, QSL9 CM2250 L115, QSL9 CM2350 L102, QSL9 CM2350 L107, QSL9 CM2350 L118, QSL9 CM2350 L122, QSL9 CM554, QSL9 CM850(CM2850), QSL9 G CM558, QSL9 M CM2250 L106, QSL9.3 CM2880 L113			



[SMALL](#) | [MEDIUM](#) | [LARGE](#)

Cart	Ref No	Part Number	Part Description	Required	Remarks
<input type="button" value="View My Cart"/>					

		PH9801-09	Electronic Control Module		ENGINE CONTROL MODULE...(More)
					Engine Control System:
					Select
					ECM Version: CM552
					ECM Volts: 12V
					ECM Location:
					605.2 Vertical / 271.2
					Horizontal / 342.8 Depth
					Vertical position is measured
					from the crank centerline to
					the top of the ECM.
					Horizontal position measured
					from the front face of block
					to the front of the ECM.
					Depth of ECM measured from
					the engine centerline to the
					front of the ECM.
<input type="checkbox"/>		108330	Plain Washer	2	3/8 in.
<input type="checkbox"/>		3348747	Pressure Sensor	1	Intake Manifold
<input type="checkbox"/>	1	3330202	O-Ring Seal	1	
<input type="checkbox"/>	2	3348748	Pressure Sensor	1	Intake Manifold
<input type="checkbox"/>	3	4088390	Pressure Sensor	1	Oil.
<input type="checkbox"/>		3330202	O-Ring Seal	1	
		4088391	Pressure Sensor	1	
<input type="checkbox"/>	4	3613547	Temperature Sensor	1	Intake Manifold
<input type="checkbox"/>		4088750	Temperature Sensor	1	Coolant Or Oil Or Fuel.
	5	4088751	Temperature Sensor	1	
	6	4921574	O-Ring Seal	1	
	7	3900631	Hexagon Flange Head Cap Screw	2	M8 X 1.25 X 25.

<input type="checkbox"/>					
<input type="checkbox"/>	8	3900628	Hexagon Flange Head Cap Screw	2	M6 X 1.00 X 30.
	9	4078620	Electronic Control Module	1	
		3408576	Electronic Control Module	1	
		4078621	Bootloader Data	1	
		4078622	Non-Volatile Memory Data	1	
<input type="checkbox"/>		3408529	Position Sensor	2	Cam or Crank
<input type="checkbox"/>	10	4010643	O-Ring Seal	1	
	11	3408530	Position Sensor	1	Cam or Crank
<input type="checkbox"/>	12	4078411	Electronic Control Module Bracket	1	
<input type="checkbox"/>	13	4058346	Sensor Adapter	1	
<input type="checkbox"/>	14	4058347	Sensor Adapter	1	
<input type="checkbox"/>	15	4079166	Socket Head Cap Screw	2	
<input type="checkbox"/>		4078627	Sensor Adapter	2	